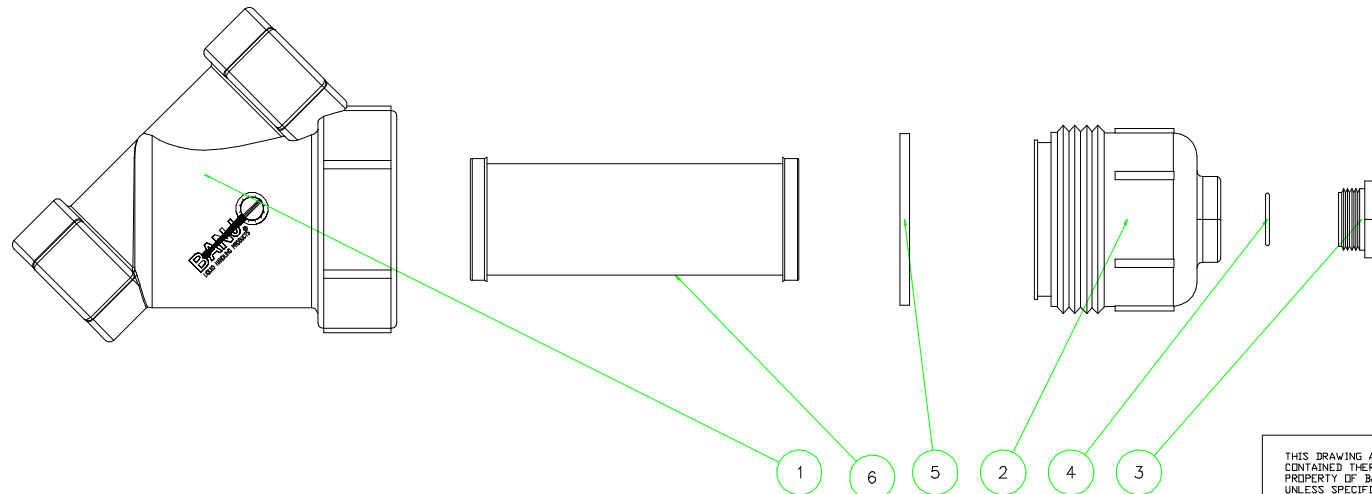
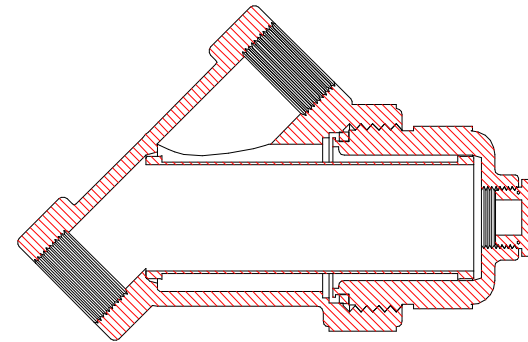
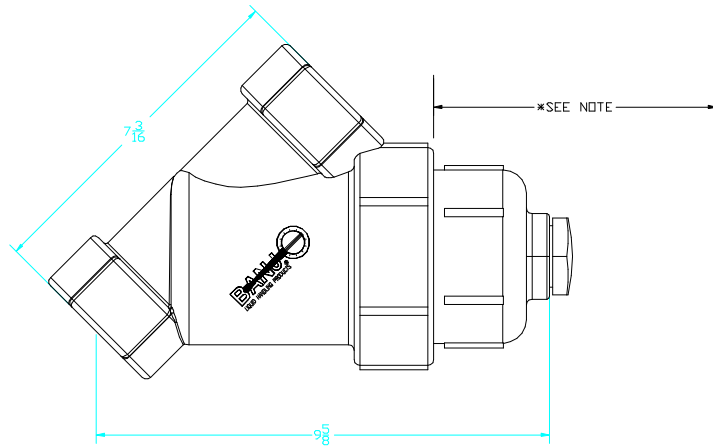
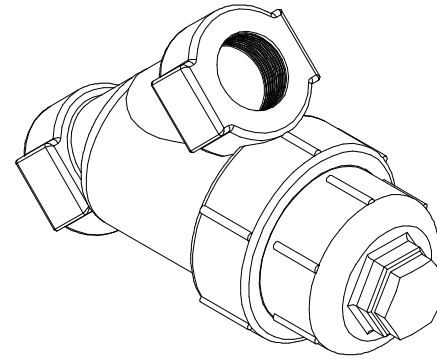



*NOTE:
 ADDITIONAL CLEARANCE REQ'D
 FOR SCREEN REMOVAL: 7"

Parts List			
Item	Qty	Part No.	Description
1	1	LS150B	LINE STRAINER BODY
2	1	LS150XC	LINESTRAINER CAP
3	1	LSQ200PL	DRAIN PLUG
4	1	LSQ200R1	PLUG GASKET
5	1	LS150G	LINE STRAINER GASKET
6	1	LS212	LINE STRAINER SCREEN





BANJO[®]
 LIQUID HANDLING PRODUCTS

BANJO CORPORATION
 150 BANJO DR. * CRAWFORDSVILLE, IN 47933

THIS DRAWING AND ALL INFORMATION CONTAINED THEREIN ARE THE EXCLUSIVE PROPERTY OF BANJO CORPORATION. UNLESS SPECIFICALLY NOTED, THIS DRAWING AND ITEMS SHOWN IN THIS DRAWING ARE SUBJECT TO CHANGE AT ANY TIME.	PART NO. LS150-12
	TITLE 1 1/2" LINE STRAINER ASSEMBLY W/ #12 MESH SCREEN